

# Wall-mounted EV chargers Ex9EV

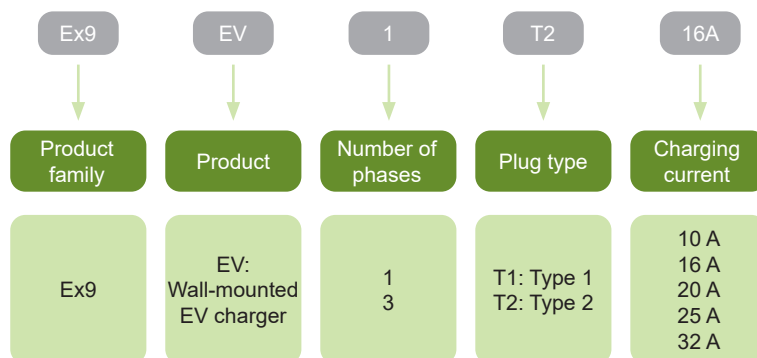


- Tested according to IEC/EN 61851
- Installation directly on wall
- 1phase or 3phase versions
- Charging current up to 32 A
- Plug type 1 (5 pins) or type 2 (7 pins)
- Including RCCB B type
- Degree of protection IP44

Ex9EV is a wall-mounted charger for electric vehicles (EVs) with intentions to be used in a household. Our solution is equipped with B type Residual Current Circuit Breaker, which is a necessary protection of EV chargers. The battery of EV is working on DC principle and it can occur a DC current leakage. The internal B type RCCB is able to detect leakages in DC, AC and pulsating current in a high frequency.

We are offering a chargers with charging current up to 32 A in 1 or 3 phase connection. Connection cable with length of 5 m with one of two most common plugs (Type 1 or Type 2) is a part of delivery.

## Type Key



## Certification marks



# Wall-mounted EV chargers Ex9EV

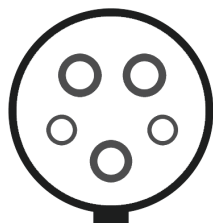
## EV charging wallboxes

- 1phase or 3phase version
- Plug type 1 or type 2
- Charging current up to 32 A
- Integrated RCCB type B

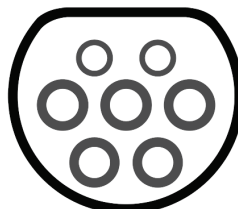


Maximal charging current	Number of phases	Plug type CAR	Article No.	Type	Packing
10A	1 phase	Type 1	110256	Ex9EV1 T1 10A	1/4
16A	1 phase	Type 1	110494	Ex9EV1 T1 16A	1/4
20A	1 phase	Type 1	110495	Ex9EV1 T1 20A	1/4
25A	1 phase	Type 1	110496	Ex9EV1 T1 25A	1/4
32A	1 phase	Type 1	110497	Ex9EV1 T1 32A	1/4
10A	1 phase	Type 2	110257	Ex9EV1 T2 10A	1/4
16A	1 phase	Type 2	110498	Ex9EV1 T2 16A	1/4
20A	1 phase	Type 2	110499	Ex9EV1 T2 20A	1/4
25A	1 phase	Type 2	110500	Ex9EV1 T2 25A	1/4
32A	1 phase	Type 2	110501	Ex9EV1 T2 32A	1/4
10A	3 phase	Type 2	110258	Ex9EV3 T2 10A	1/4
16A	3 phase	Type 2	110502	Ex9EV3 T2 16A	1/4
20A	3 phase	Type 2	110503	Ex9EV3 T2 20A	1/4
25A	3 phase	Type 2	110504	Ex9EV3 T2 25A	1/4
32A	3 phase	Type 2	110505	Ex9EV3 T2 32A	1/4

### EV plug types



Type 1



Type 2

# Technical Data Ex9EV

## EV charging wallboxes

### General parameters

Static EV charging solution - installation directly on a wall
Charging current from 10 to 32 A
Integrated RCCB type B (Ex9LB63)
Information about setting and usage are in manual available at <a href="http://www.noark-electric.eu">www.noark-electric.eu</a>

### Electrical parameters

	Ex9EV1 T1	Ex9EV1 T2	Ex9EV3 T2
Tested according to	IEC/EN 61851		
Rated operating voltage $U_e$	230 V AC $\pm$ 10%	230 V AC $\pm$ 10%	400 V AC $\pm$ 10%
Rated frequency f	50 / 60 Hz		
Maximal charging current $I_{max}$	10 / 16 / 20 / 25 / 32 A		
Maximal charging power $P_{max}$	2.3 / 3.7 / 4.6 / 5.8 / 7.4 kW		6.9 / 11.0 / 13.8 / 17.3 / 22.1 kW
Integrated RCCB			
sensitivity to residual current	B type - residual AC, pulsating and smooth DC current, high frequency (1 kHz)		
rated residual current $I_{\Delta n}$ (AC / DC)	30 mA / 6 mA		
Connection	inlet cable from superior switchboard		
Charging mode	mode 3		
Compatible network	TN-S		
Self consumption	< 10 W		

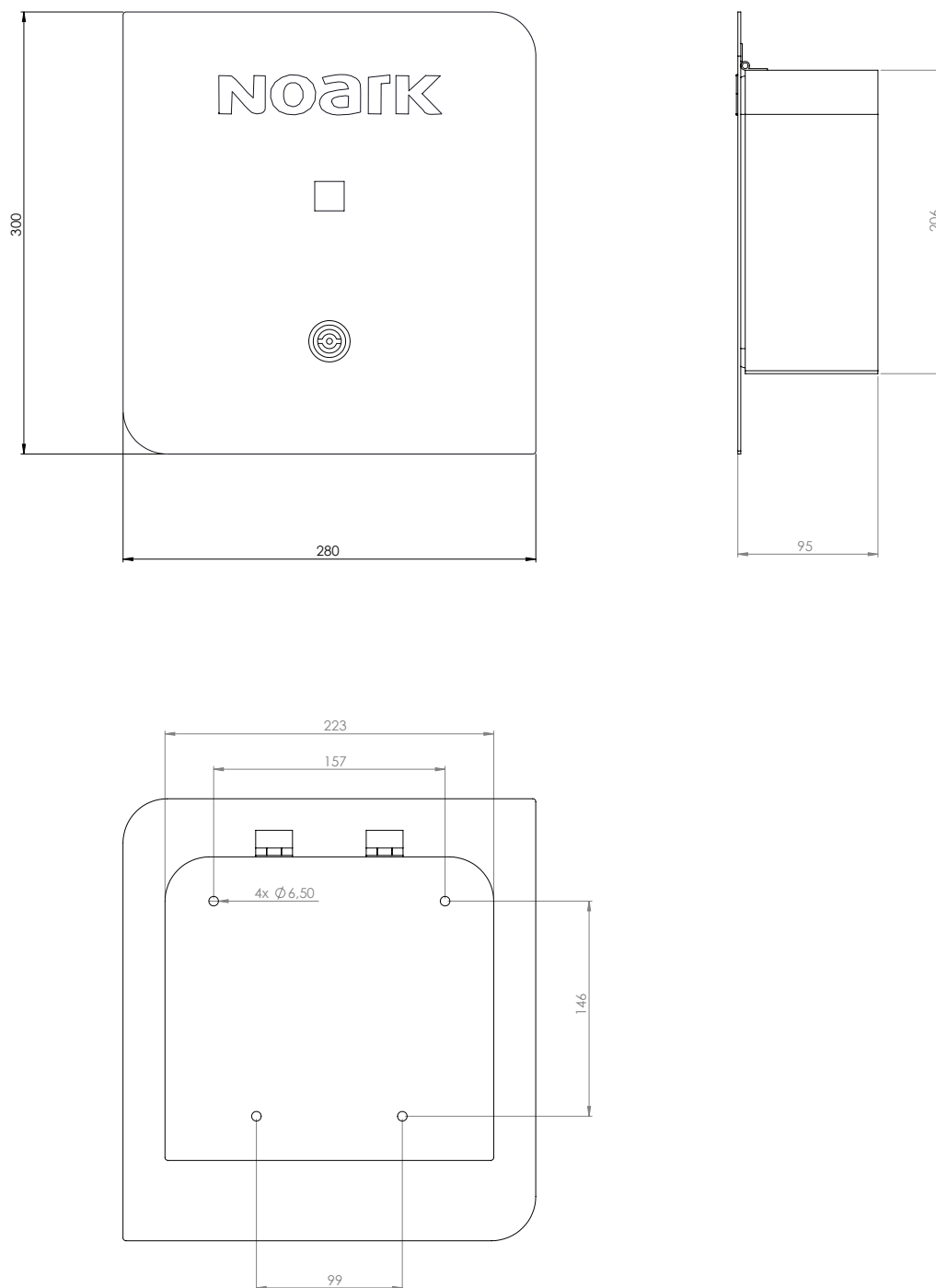
### Mechanical parameters

Cable length	5 m		
Cable dimension	3 x 6 mm <sup>2</sup> + 2 x 0.5 mm <sup>2</sup>		5 x 6 mm <sup>2</sup> + 2 x 0.5 mm <sup>2</sup>
Recommended cross-section of inlet cable (10 / 16 / 20 / 25 / 32 A)	2.5 / 2.5 / 4 / 4 / 6 mm <sup>2</sup>		
EV plugs	Type 1 / SAE J1772	Type 2 / IEC 62196-2	
Degree of protection			
wallbox	IP44		
plugs (when connected)	IP44		
Ambient temperature	-25 °C — +40 °C		
Altitude	≤ 2000 m		
Relative humidity	≤ 75 %		
Insulation class	II		
Weight	4.75 kg		6 kg

# Technical Data Ex9EV

## EV charging wallboxes

### Dimensions

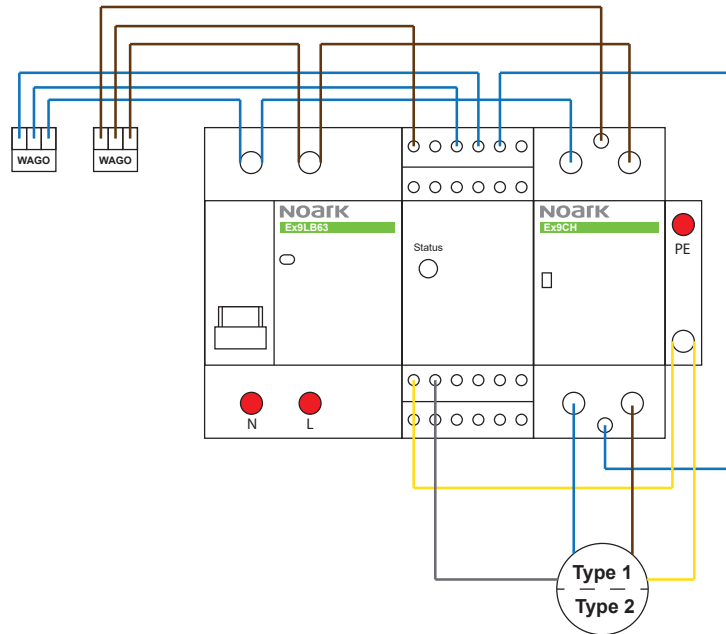


# Technical Data Ex9EV

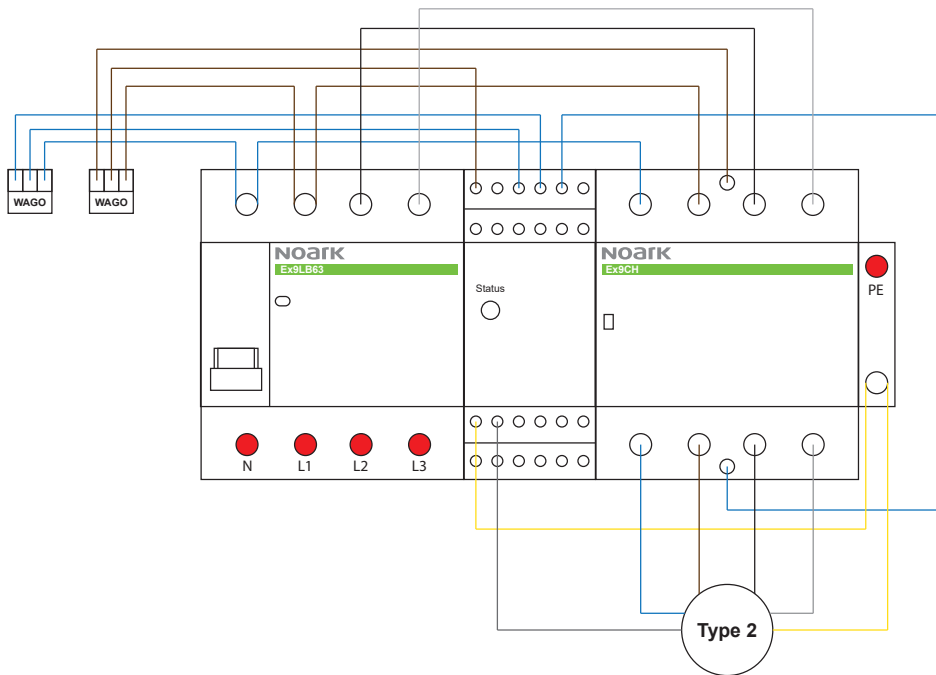
## EV charging wallboxes

### Wiring diagram

Ex9EV1 T1 / Ex9EV1 T2



Ex9EV3 T2



● inlet connection